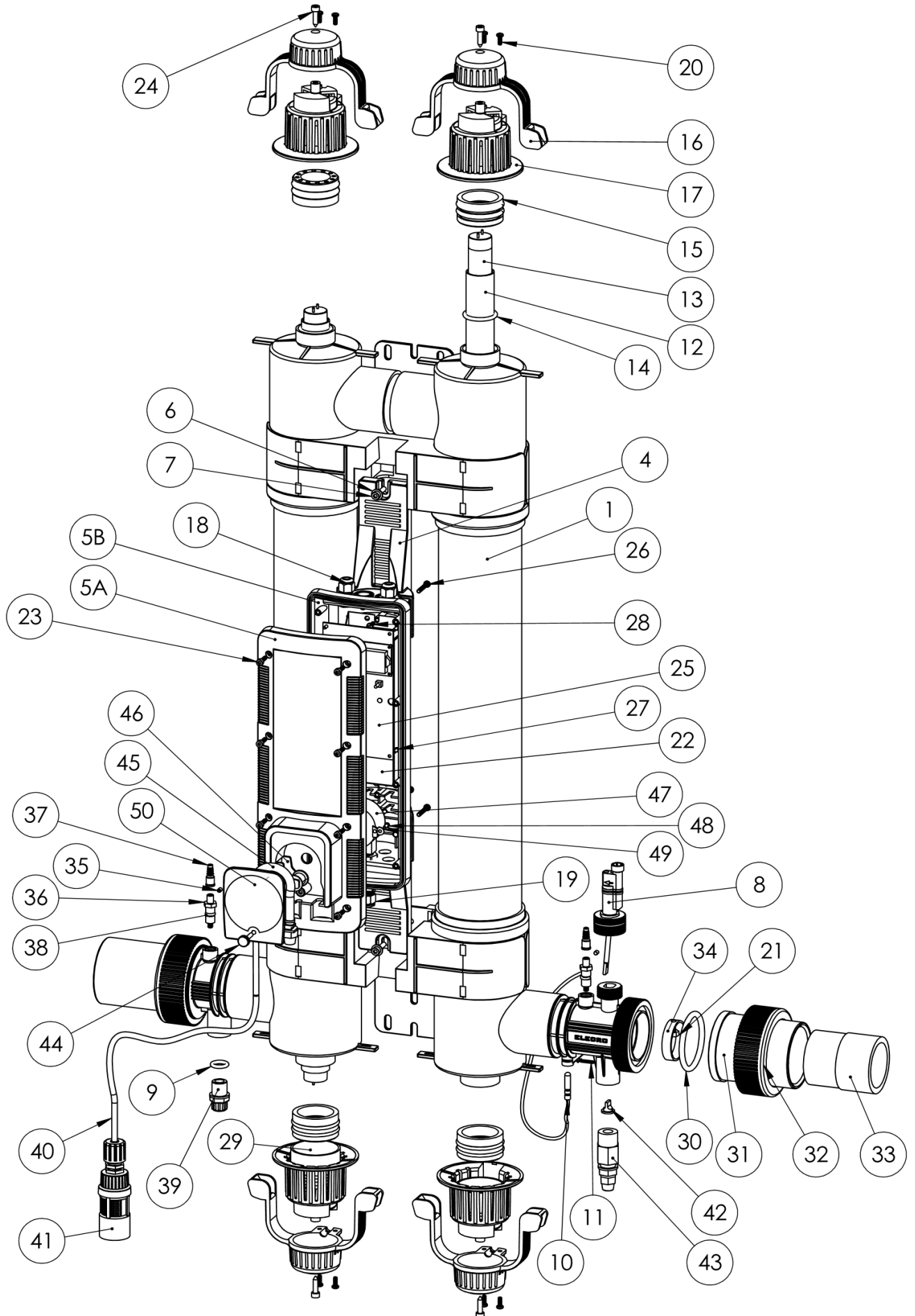


HR UV-C PRO - 110W



Item No.:	Description	Pcs/Unit HRP-55	Pcs/Unit HRP-110	Electro Part		GBP RRP (£)		EUR RRP (€)		USD RRP (\$)	
				Number HRP-55	Number HRP-110	HRP-55	HRP-110	HRP-55	HRP-110	HRP-55	HRP-110
1	HR-UVC Replacement Body Assembly (Complete with PTFE reflector and T-Piece)	1	1	SP-UV-B-HR-FS-55	SP-UV-B-HR-FS-110	205.50	378.50	236.33	435.28	287.70	529.90
2	Rear Mounting Bracket	2	-	Z-IM-UV-ST-RB	-	11.90	-	13.69	-	16.66	-
3	Front Mounting Bracket	2	-	Z-IM-UV-ST-FB	-	5.40	-	6.21	-	7.56	-
4	Enclosure Bracket	2	2	Z-IM-UV-ENC-B		10.80		12.42		15.12	
5A	HRP-UVC Front Cover with Pump	1	1	Z-IM-UV-FC-B		18.05		20.76		25.27	
5B	Rear Enclosure	1	1	Z-IM-UV-ENC-N		18.40		21.16		25.76	
6	M5 Flat Form C Washer A2	2	2	Z-FIX-M5FCW		5.70		6.56		7.98	
7	POD Fixing Screw	2	2	Z-FIX-M4.8X19STS-SC		5.70		6.56		7.98	
8	Flow Switch	1	1	SP-107-UV-A	SP-107-UV-B	41.90		48.19		58.66	
9	Blanking Cap O-Ring Seal	1	1	Z-ORS-SR-PC-S		1.35		1.55		1.89	
10	Temperature Sensor	1	1	SP-NTC-1000		33.25		38.24		46.55	
11	R' Clip	1	1	Z-MIS-R-CLIP		3.25		3.74		4.55	
12	Quartz Sleeve	1	2	SP-UV-QS		42.45		48.82		59.43	
13	UV Lamp	1	2	SP-UV-LAMP-EL		51.65		59.40		72.31	
14	Quartz Sleeve O-Ring Seal	2	4	SP-UV-ORS		1.30		1.50		1.82	
15	Quartz Sleeve Locking Nut	2	4	SP-UV-LNUT		7.75		8.91		10.85	
16	UV Lamp Holder Clip	2	4	Z-IM-UV-LH-CLIP		5.95		6.84		8.33	
17	UV Lamp Holder Hard Cap	2	4	Z-IM-UV-LH-CAP		8.10		9.32		11.34	
18	PG7 Entry Gland	3	3	Z-CON-CEG-PG7BK		7.55		8.68		10.57	
19	PG7 Entry Gland	4	4	Z-CON-CEG-PG7BK		7.55		8.68		10.57	
20	Lamp Lead Clamp Pozi Pan Screw	4	8	Z-FIX-M4X14		1.60		1.84		2.24	
21	Current Collector Hex Nut	2	2	Z-FIX-M5HEX		5.70		6.56		7.98	
22	Electronic ballast	1	1	SP-UV-BB-55	SP-UV-BB-110	118.95	162.20	136.79	186.53	166.53	227.08
23	Enclosure Fixing Screw	6	6	Z-FIX-M4X16-SC-ST		1.60		1.84		2.24	
24	Lamp Holder Clip Screw	2	4	Z-FIX-M4.8X19STS-SC		5.70		6.56		7.98	
25	HRP Maintenance Timer PCB	1	1	SP-PCB-UV-HRP		210.90		242.54		295.26	
26	Bracket Screw	6	6	Z-FIX-M4X14		1.60		1.84		2.24	
27	M3 x 8mm PCB Fixing	5	5	Z-FIX-M3X8-BLK		1.60		1.84		2.24	
28	Ballast Fixig Screw	2	2	Z-FIX-M4X14		1.60		1.84		2.24	
29	Lamp Lead Connection	2	4	SP-UV-LLL-S		18.95		21.79		26.53	
30	Large Union O-Ring Seal	2	2	SP-122-ORS		9.20		10.58		12.88	
31+32	Union Socket 2" / 63mm	2	2	SP-122		14.60		16.79		20.44	
	Union Nut										
33	Union Reducer 1½" / 50mm	2	2	SP-UV-R		4.85		5.58		6.79	
34	10mm / 44.5mm OD Stainless Steel Pipe	2	2	Z-TUB-SS44.5X10		9.20		10.58		12.88	
35	Current Colletor Grub Screw	2	2	Z-FIX-M4X4GS		1.60		1.84		2.24	
36	Current Collector Pin (316 S/S)	2	2	Z-UV-CC-PIN		15.70		18.06		21.98	
37	UV Current Collector Rubber Boot	2	2	Z-UV-CC-RB		4.85		5.58		6.79	
38	UV Current Collector 'O' Ring	2	2	Z-ORS-UV-CC		2.70		3.11		3.78	
39	UV Blanking Plug	2	2	Z-IM-UV-BP		3.80		4.37		5.32	
40	Suction Tubing	1	1	Z-DP-PVCH		8.10		9.32		11.34	
41	Foot Valve Strainer Assembly	1	1	Z-DP-FS		45.40		52.21		63.56	
42	Rubber Lip Valve	1	1	SP-UV-DP-RDV		8.65		9.95		12.11	
43	Dosing Port Assembly	1	1	SP-UV-DP-PA		8.10		9.32		11.34	
44	Dosing Pump Front Cover Screw	1	1	Z-DP-CF-TEC		11.35		13.05		15.89	
45	Dosing Tube Assembly	1	1	SP-DP-ST-TEC		23.80		27.37		33.32	
46	Dosing Pump Roller Assembly	1	1	SP-DP-PR-TEC		32.45		37.32		45.43	
47	Dosing Pump Motor	1	1	SP-DP-M-TEC		62.75		72.16		87.85	
48	Dosing Pump Motor Screw	2	2	Z-FIX-M3X8-BLK		1.60		1.84		2.24	
49	Dosing Pump Motor Washer	2	2	Z-FIX-M3LW		1.60		1.84		2.24	
50	Dosing Pump Front Cover	1	1	Z-DP-FCC-TEC		13.50		15.53		18.90	